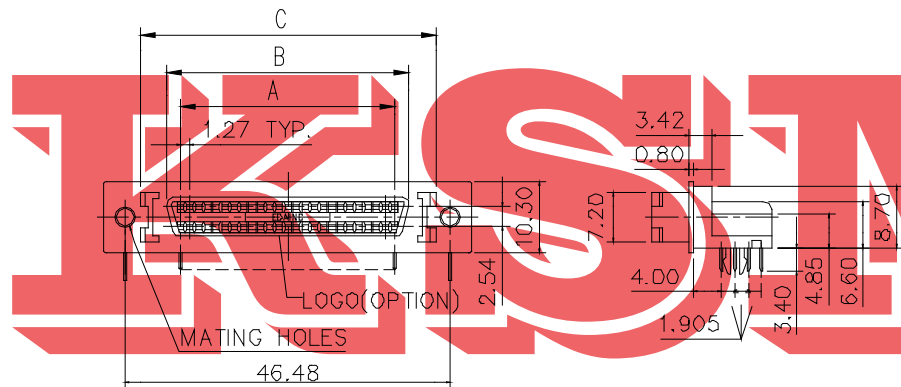
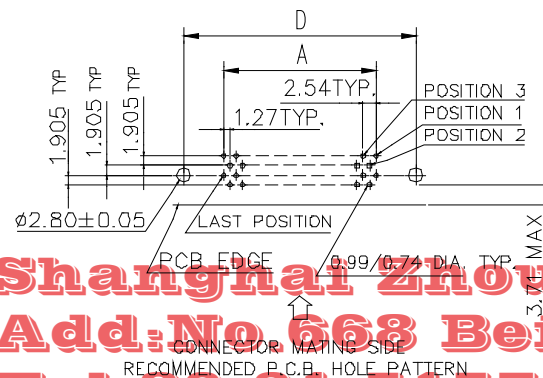
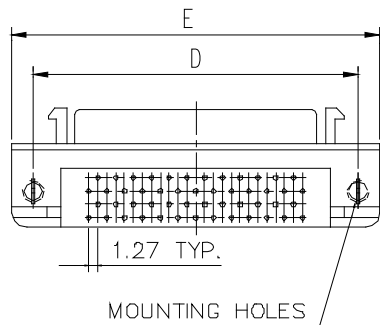


MARK	PLACES	ZONE	ECN	DATE



SPECIFICATION:

HOUSING MATERIAL: PBT WITH GLASS-FIBER REINFORCED
 UL 94V-0
 CONTACT MATERIAL: PHOSPHOR BRONZE; GOLD OVER NICKEL
 RATED CURRENT: 1A
 INSULATION RESISTANCE: 500mΩ MIN.
 CONTACT RESISTANCE: 35mΩ MAX.
 DIELECTRIC WITHSTANDING VOL TAGE: AC 500V FORN1 MINUTE.
 OPERATING TEMPERATURE: -25℃ ~ +85℃



POSITION	A±0.10	B±0.15	C±0.15	D±0.10	E±0.20
14pin	7.62	11.84	19.43	23.62	29.59
20pin	11.43	15.65	23.24	27.43	33.40
26pin	15.24	19.46	27.05	31.24	37.21
36pin	21.59	25.81	33.40	37.59	43.56
50pin	30.48	34.70	42.29	46.48	52.45
68pin	41.91	46.13	53.72	57.91	63.88

Shanghai ZhouRi Electronics, CO.Ltd.
Add: No. 668 Beijing East Road
Tel: 86-21-51571121 53085565
Fax: 86-21-51571120

Http: www.ksmchina.com
E-mail: zhouri1101163.com

UNLESS OTHERWISE SPECIFIED		SERIES 1.27(.050)		上海洲日电子有限公司 Shanghai ZhuoRi Electronics CO.,LTD.	
DIMENSION TOLERANCE		SCSI-II H.D.R/A P.C.B. TYPE 50PIN CONNE CTOR			
DECIMAL	ANGLE	MODEL NO.	SCSI	MATERIAL	FINISH
X.X	±0.1	DWG. NO.	ZR-SCSI-002	COLOR	QUANTITY
X.XX	±0.1	DESIGNED	Item No.		
X.XXX	±0.05	CHECKED	REV. A	SCALE	1:1
		APPROVED	THE THIRD ANGLE PROJECTION		UNIT mm
					SHEET OF PAGES